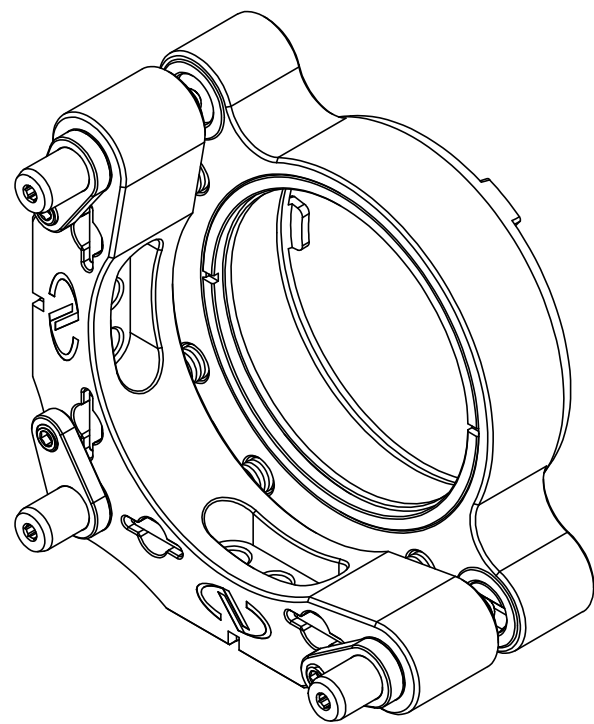
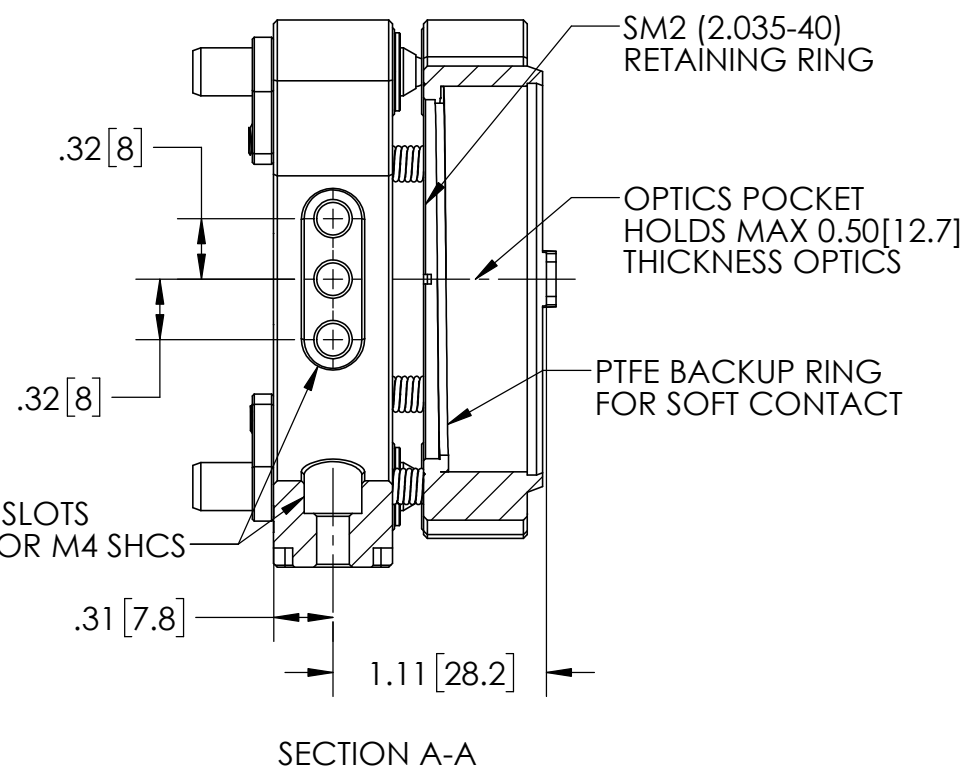
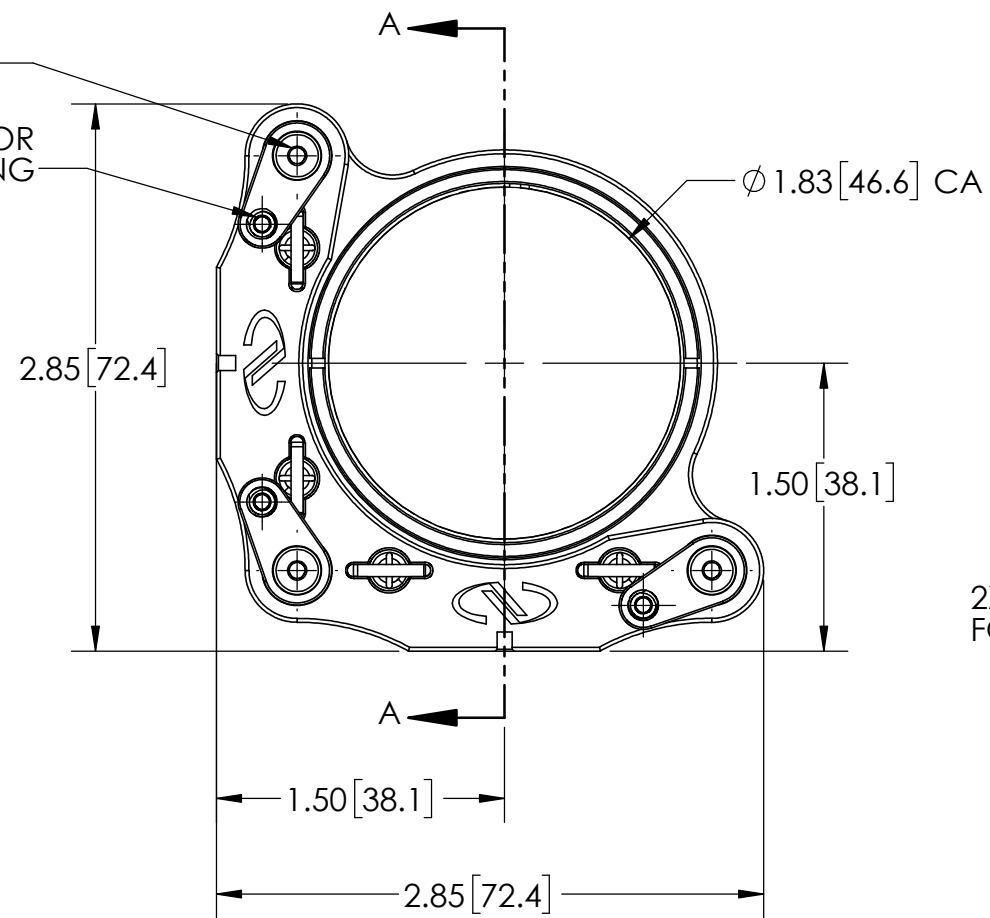


**MODEL ST200T-R2H
REAR LOAD, 2 HEX ADJUSTORS**

3 X KNOBS OR
5/64[2] HEX FOR
P/Y OR Z ADJUSTMENT

3X 5/64[2] HEX FOR
ADJUSTMENT LOCKING



**MODEL ST200T-R3H
REAR LOAD, 3 HEX ADJUSTORS**

2x PIN SLOTS $\nabla .10 [2.5]$
FOR $\phi 5/64 [2]$ PINS

